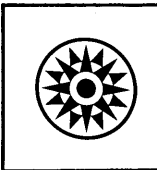


Systems Reference Library

IBM System/360 Input/Output Configurator

This configurator presents the various input/output equipment for the System/360, Models 30 to 75. This input/output equipment is classified according to types. Each type appears on a separate page.

	Page
Disk and Drum Storages and Storage Controls	3
Magnetic Tape Units and Controls	5
Card Input/Output, Printers, Paper Tape Input/Output, and Magnetic and Optical Character Readers	7
Display Units and Controls	9
Audio Communications	11
Data Communications and Acquisition	13
Process Control	15

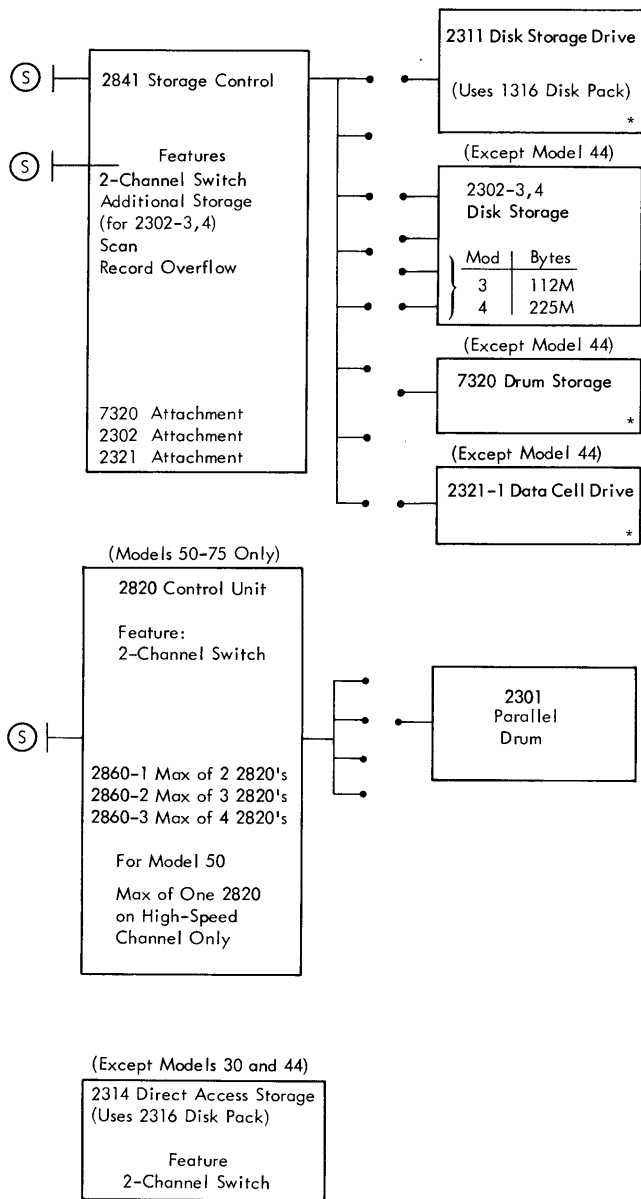


MAJOR REVISION (July, 1965)
This edition, Form A22-6823-1, obsoletes
Form A22-6823-0.

Copies of this and other IBM publications can be obtained through IBM Branch Offices
Address comments concerning the contents of this publication to:
IBM Corporation, Customer Manuals, Dept. B98, PO Box 390, Poughkeepsie, N. Y. 12602

Configurator for Disk and Drum Storages, Storage Controls

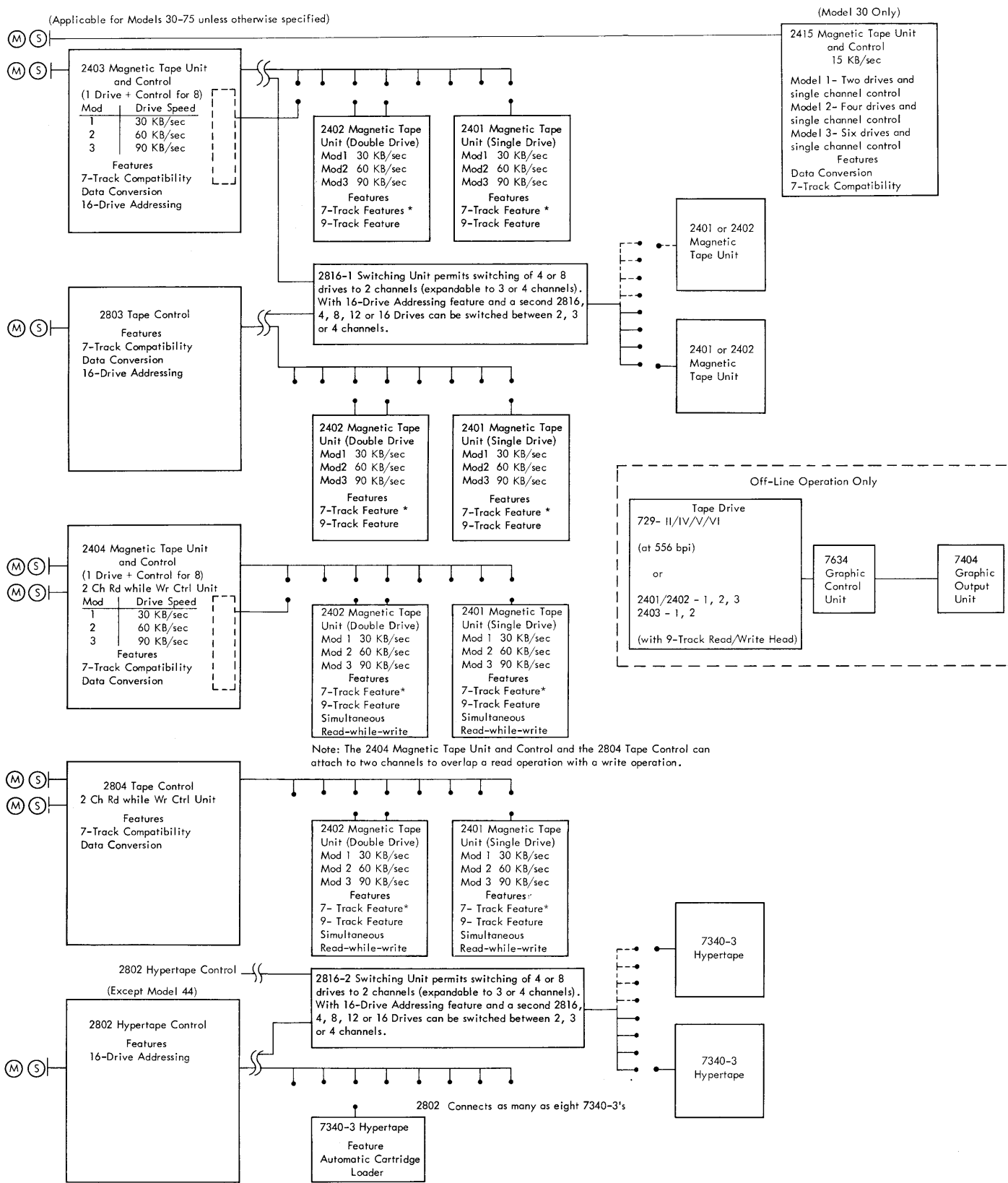
(Applicable for Models 30-75 unless otherwise specified)



* Control feature or adapter required in related control unit

Ⓢ Selector Channel

Configurator for Magnetic Tape Units and Controls



* Control feature or adapter required in related control unit

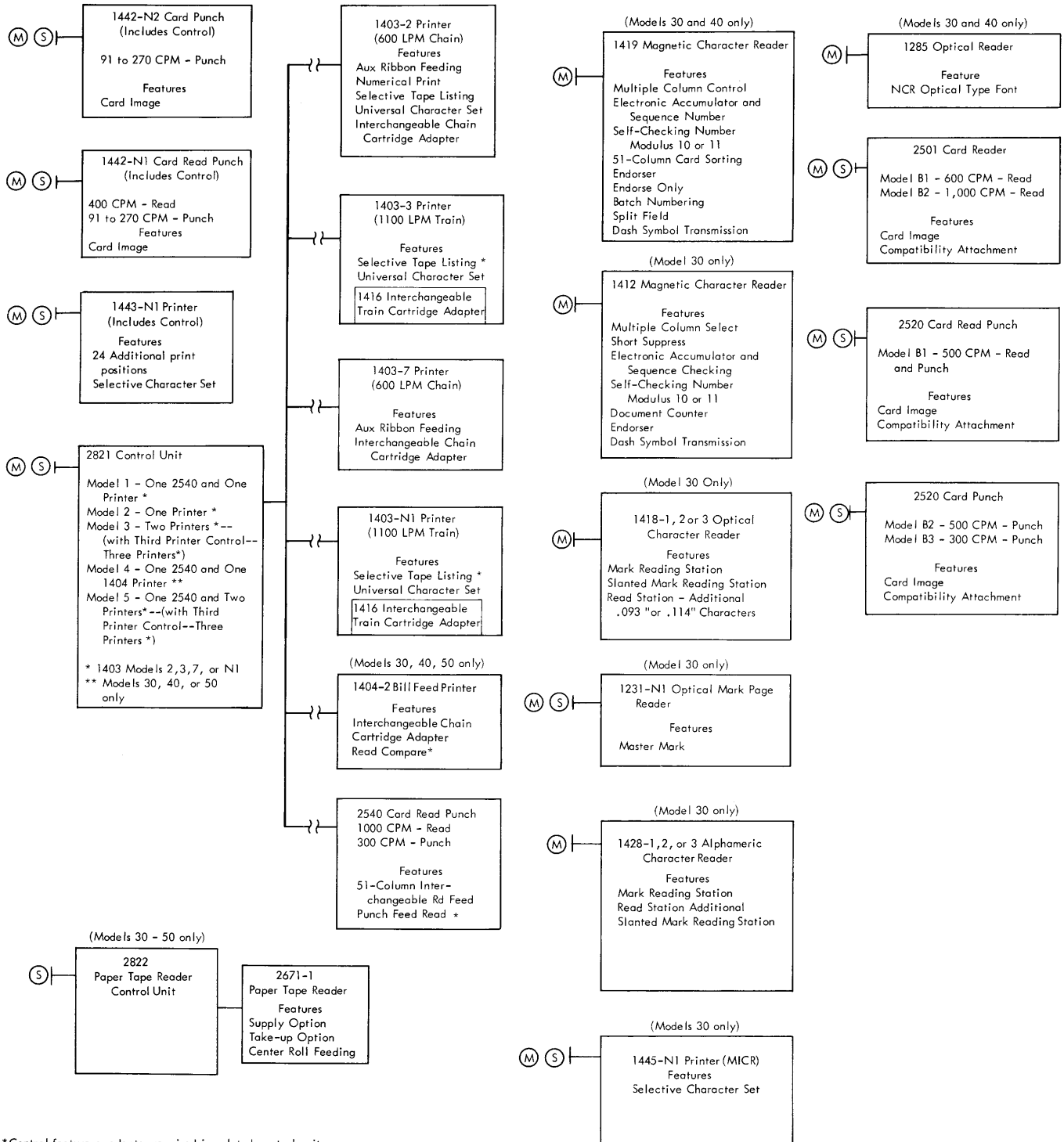
(M) Multiplexor Channel

(S) Selector Channel

Configurator for Card Input/Output, Printers,

Paper Tape Input/Output, and Magnetic and Optical Character Readers

(Applicable for Models 30-75 unless otherwise specified)



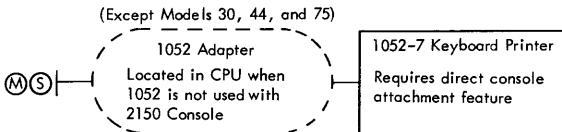
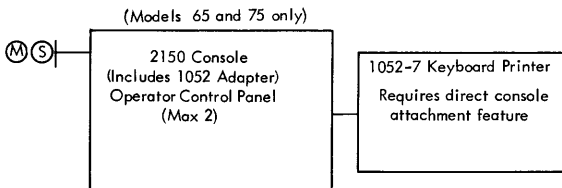
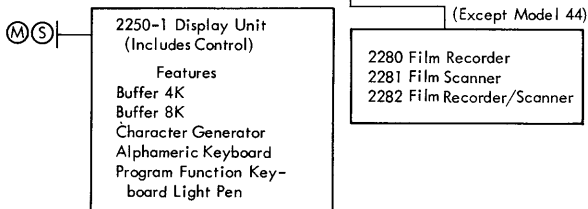
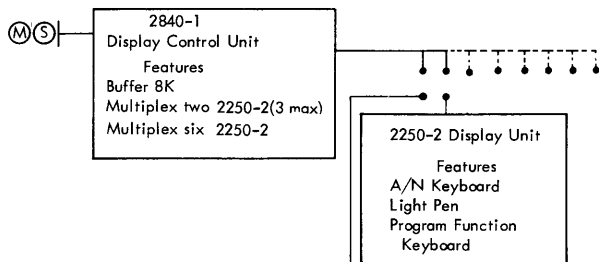
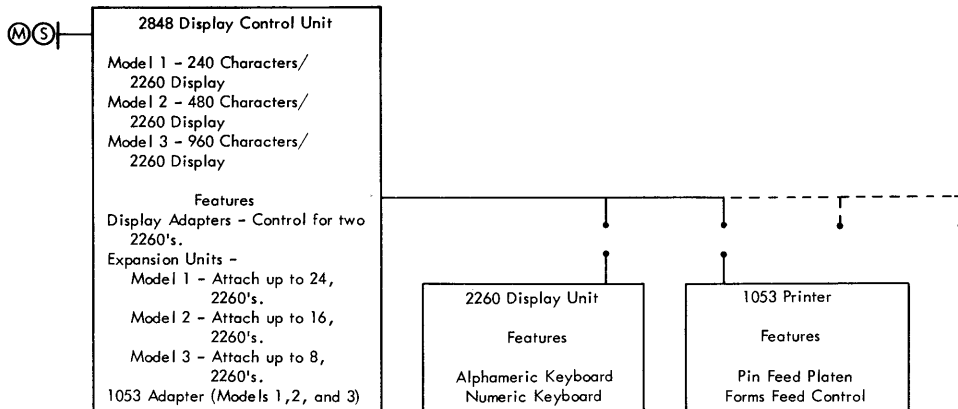
*Control feature or adapter required in related control unit
**Not on System/360 Model 44

- (M) Multiplexor Channel
- (S) Selector Channel

IBM System/360 Input/Output

Configurator for Display Units and Controls

(Applicable for Models 30-75 unless otherwise specified)



* For attachment of the 1052 to Model 30, see IBM System/360 Model 30 Configurator, Form A24-3232.

(M) Multiplexor Channel
(S) Selector Channel

Configurator for Audio Communications

(Applicable for Models 30-75 unless otherwise specified)

(Except Model 44)

IBM 7772 AUDIO RESPONSE UNIT
Model 3

Number of I/O Lines	2	4	6	8
I/O Line Expander *	1	2	3	
I/O Line Frame **		1	1	

* One I/O Line Expander is required for each increment of 2 I/O lines in excess of the first 2

** An I/O Line Frame is required with more than one I/O Line Expander

Vocabulary: Response composed from vocabulary stored in random access storage devices as a digitally-coded voice

(M) |-----|

(Except Model 44)

IBM 7770 AUDIO RESPONSE UNIT
Model 3

Number of I/O Lines	4	8	12	16	20	24	28	32	36	40	44	48
I/O Line Expander *	1	2	3	4	5	6	7	8	9	10	11	
I/O Line Panel **		1	1	2	2	3	3	4	4	5	5	
I/O Line Frame ▽					1	1	1	1	1	1	1	1

* One I/O line expander is required for each increment of 4 I/O lines in excess of the first 4

** One I/O line panel is required for each increment of 8, or portion thereof, I/O lines in excess of 8

▽ Increasing the number of I/O lines beyond a total of 16 lines requires one I/O line frame

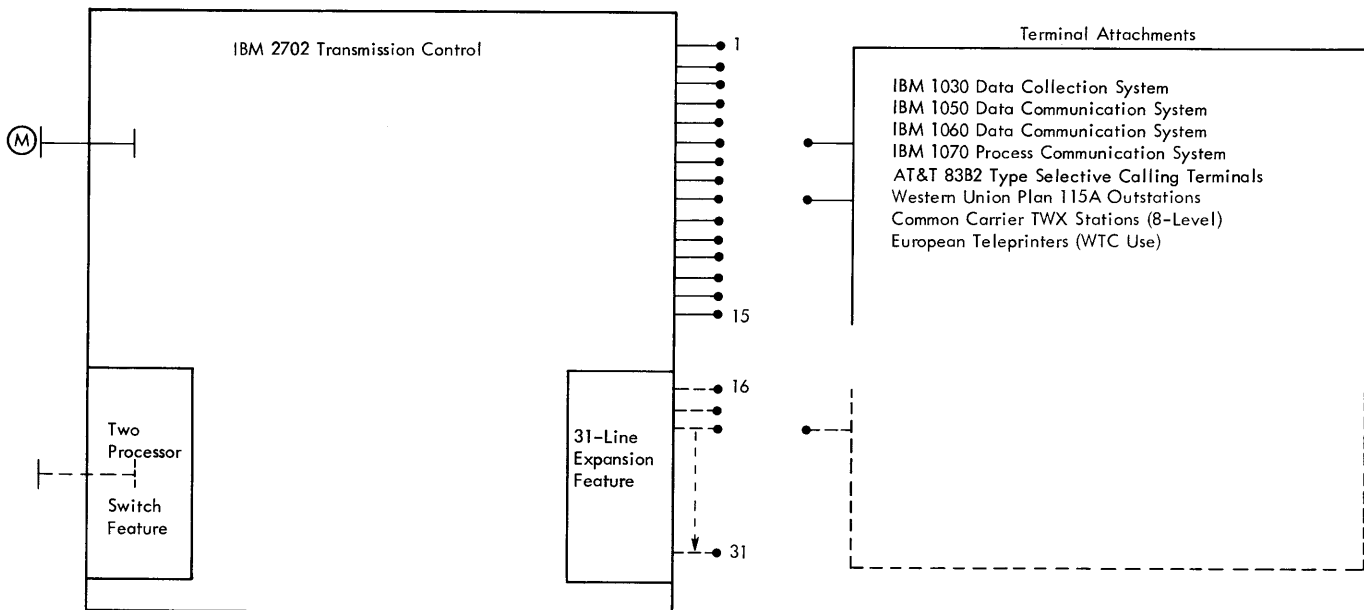
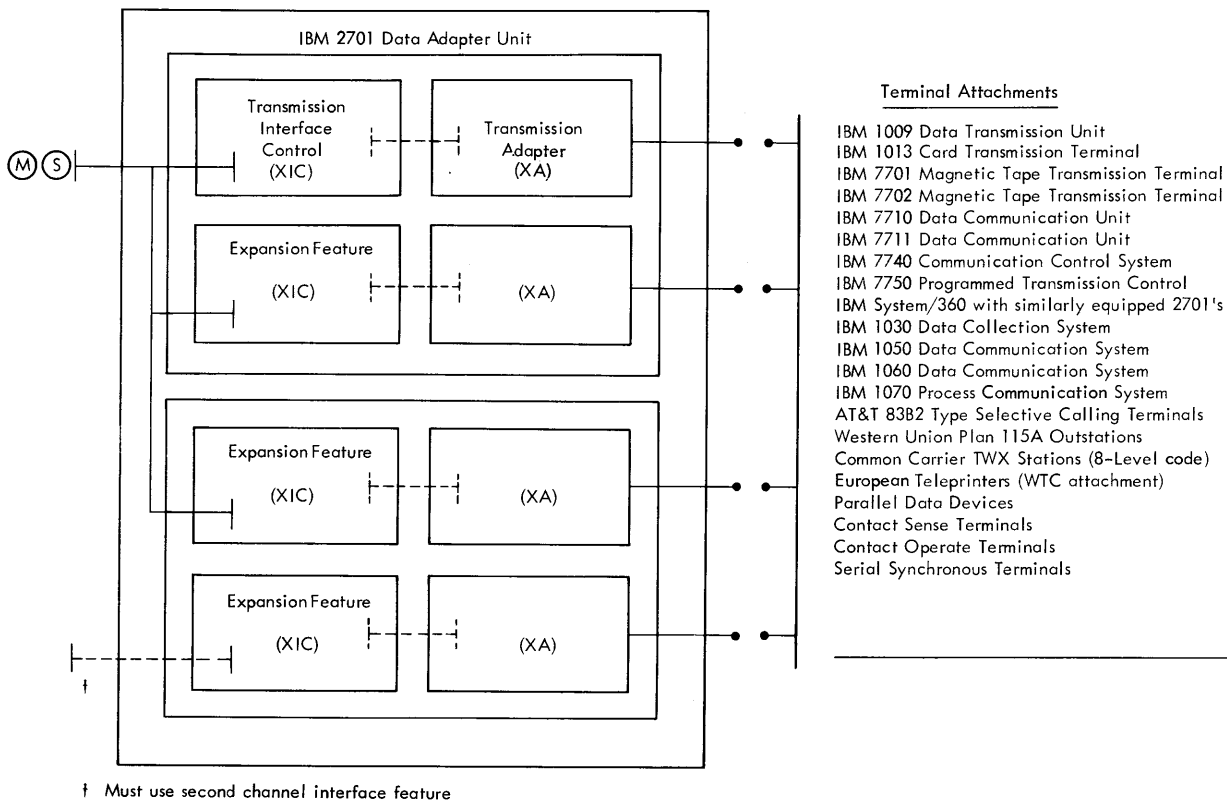
Vocabulary -- Number of Words							
32	48	64	80	96	112	128	

(M) |-----|

(M) Multiplexor Channel

Configurator for Data Communications and Acquisition

(Applicable for Models 30-75 unless otherwise specified)

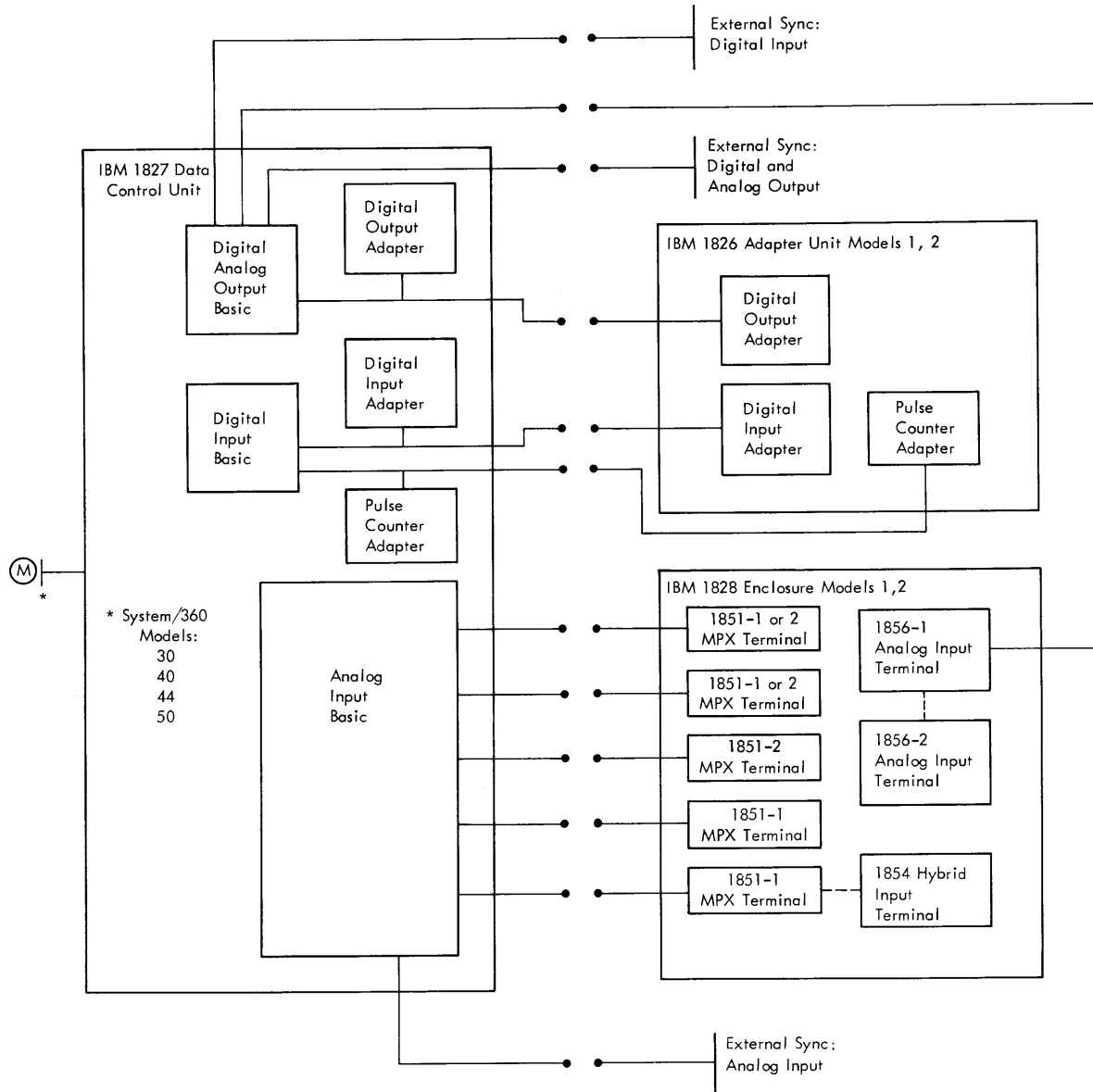


For more detailed configurations on the 2701 and 2702, see the IBM System/360 Data Communications and Acquisition Configurator, Form A22-6824.

- (M) Multiplexor Channel
- (S) Selector Channel

Configurator for Process Control

(Applicable for Models 30-75 unless otherwise specified)



For more detailed configurators concerning the IBM 1827 with the IBM 1828 and 1826, see the System/360 with the 1827 I/O Configurator, Form A22-6872.

(M) Multiplexor Channel

IBM

**International Business Machines Corporation
Data Processing Division
112 East Post Road, White Plains, N. Y. 10601**